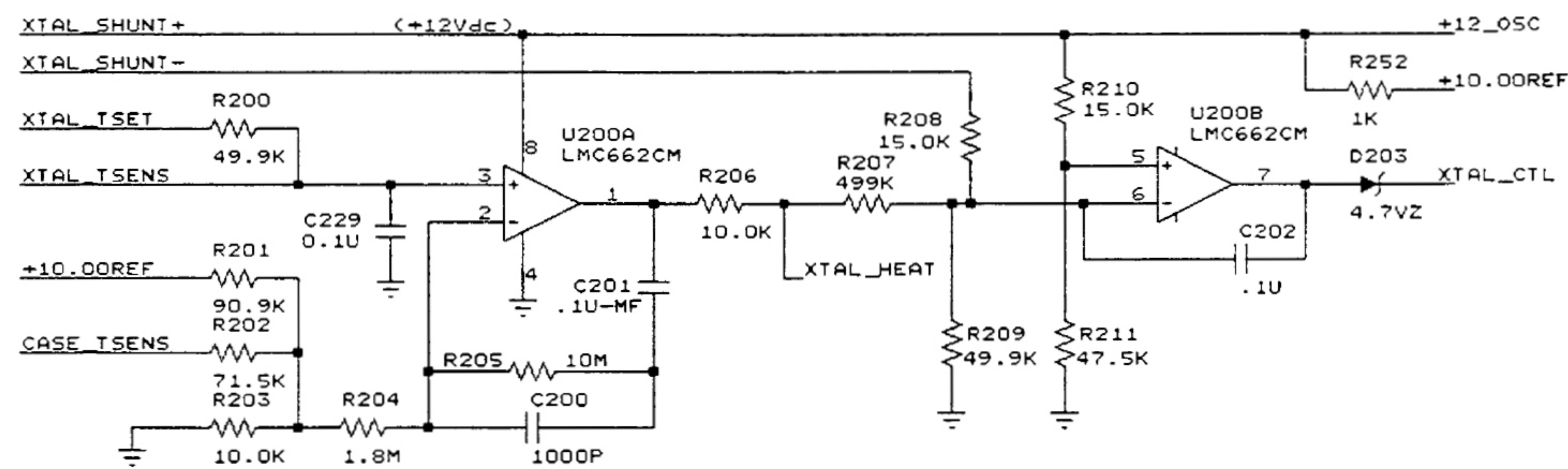
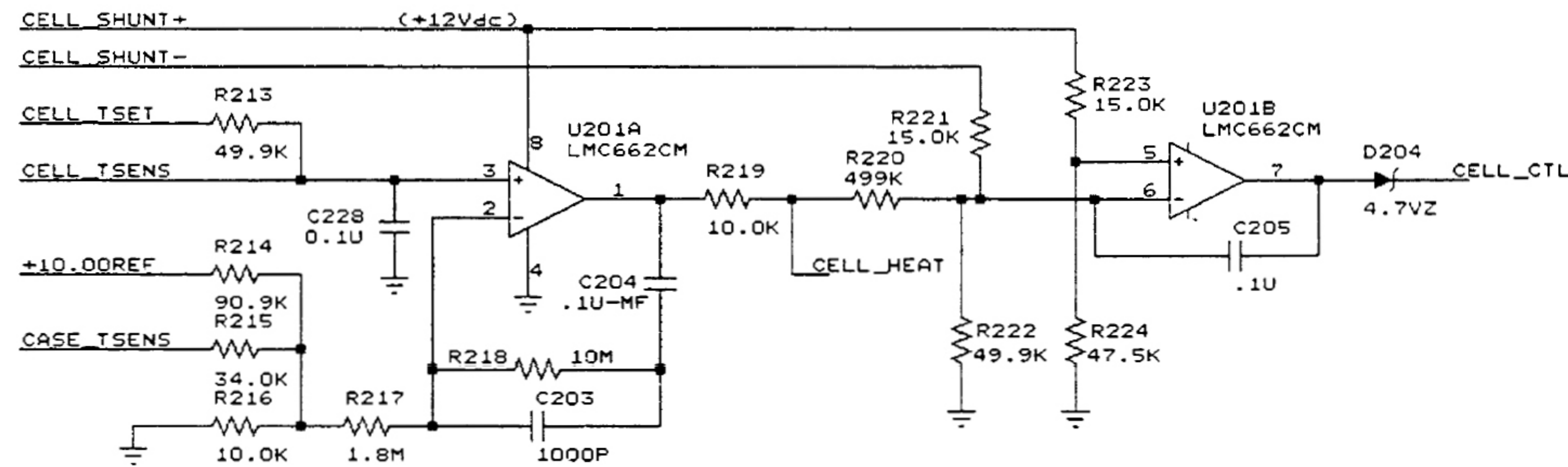


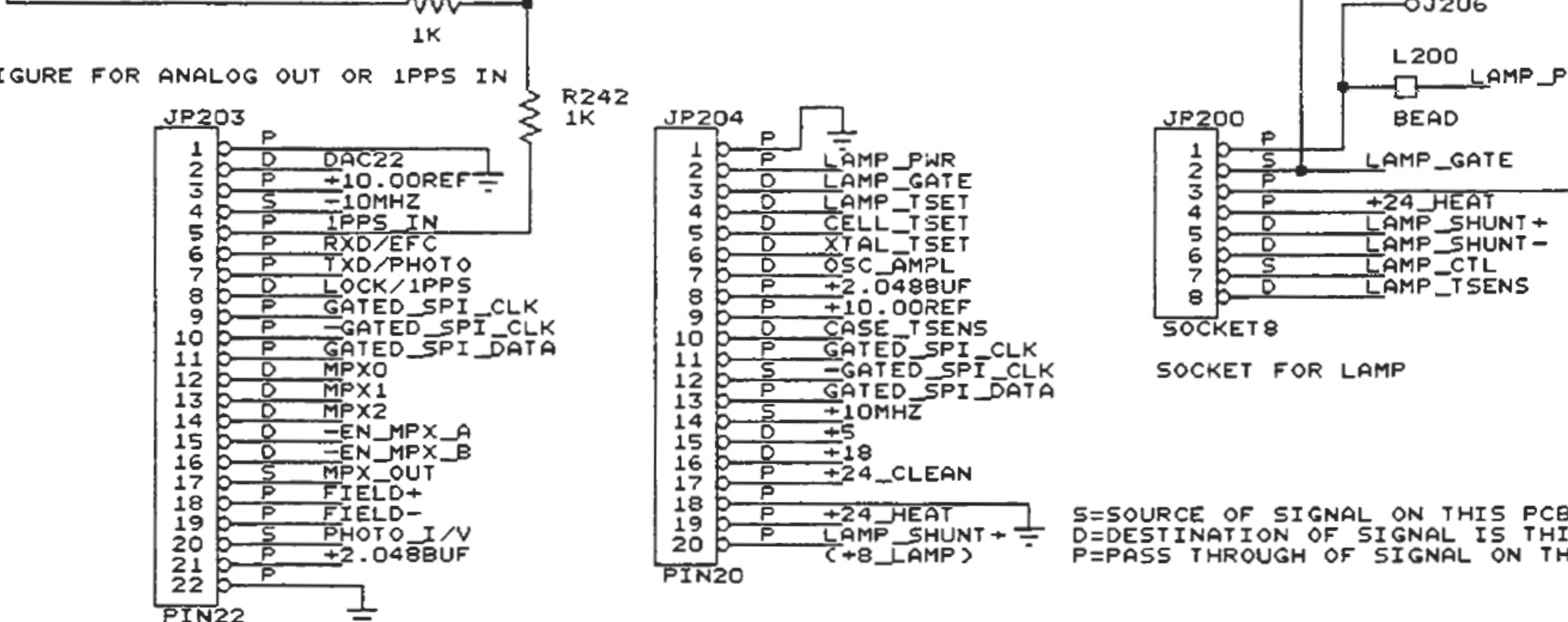
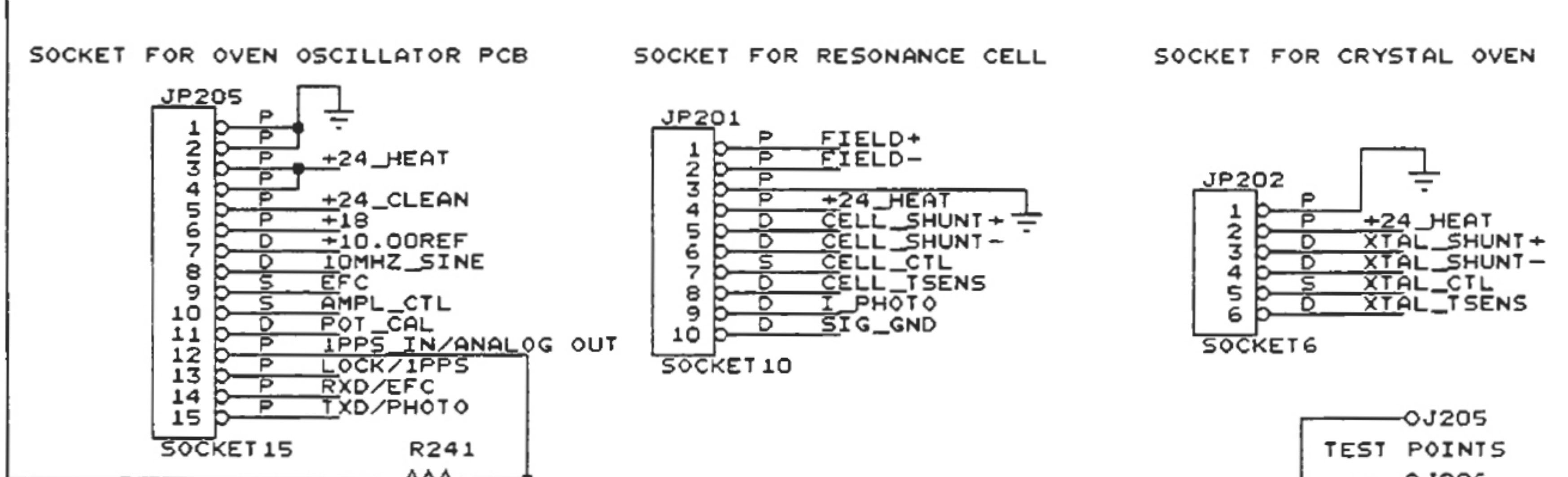
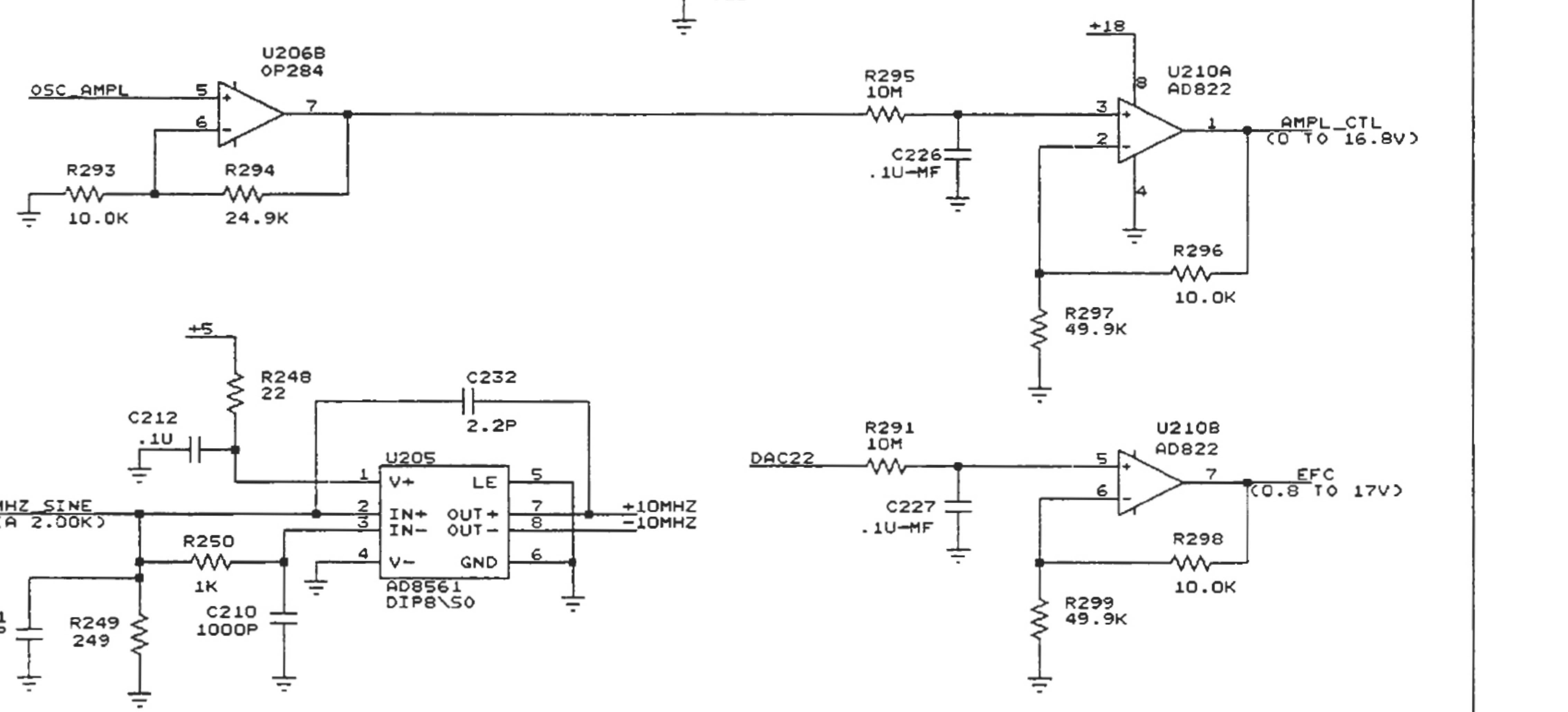
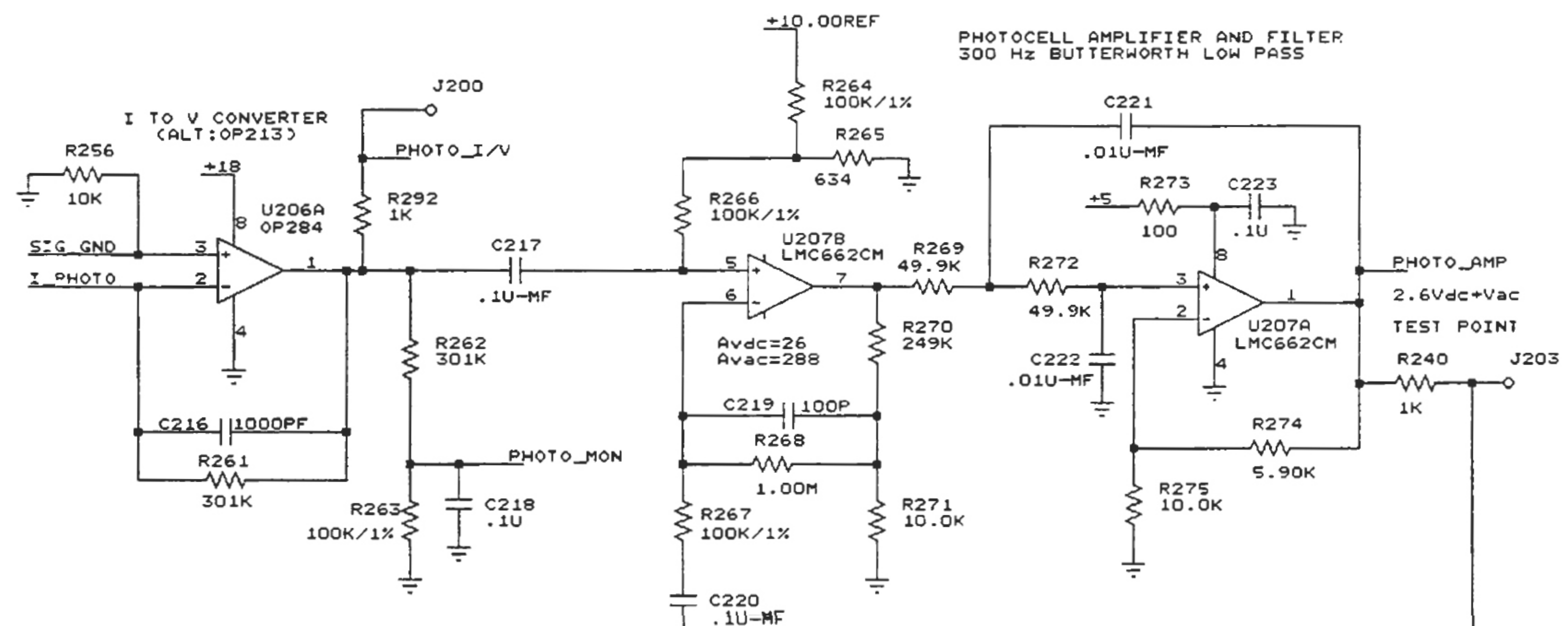
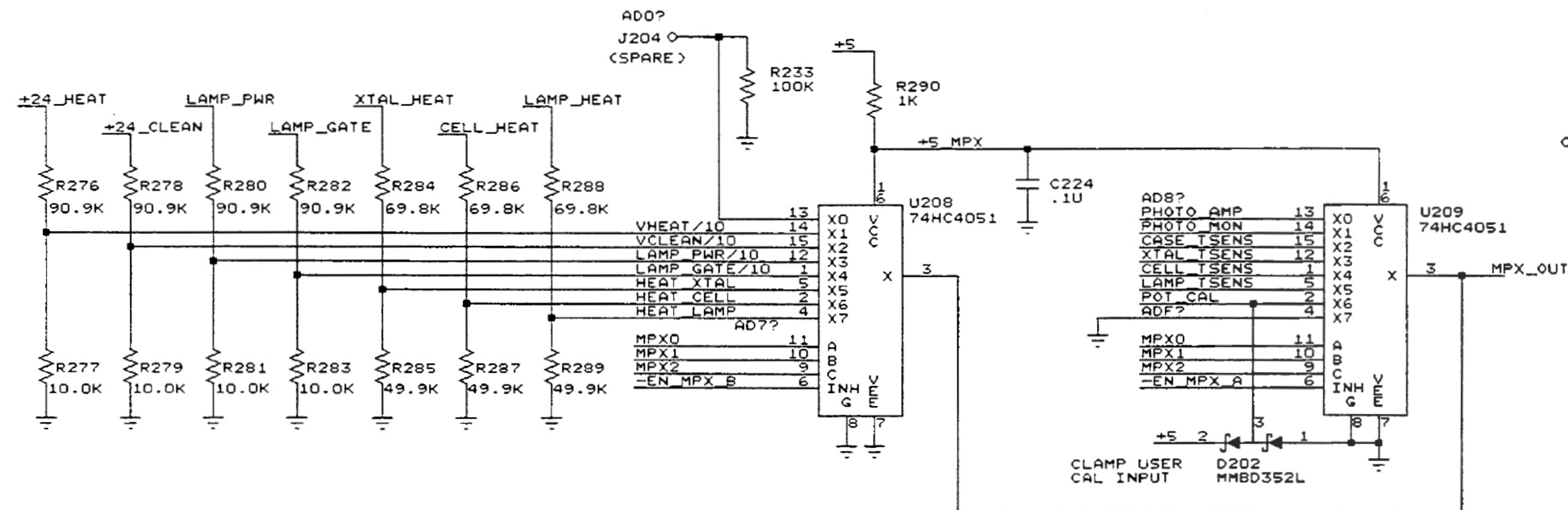
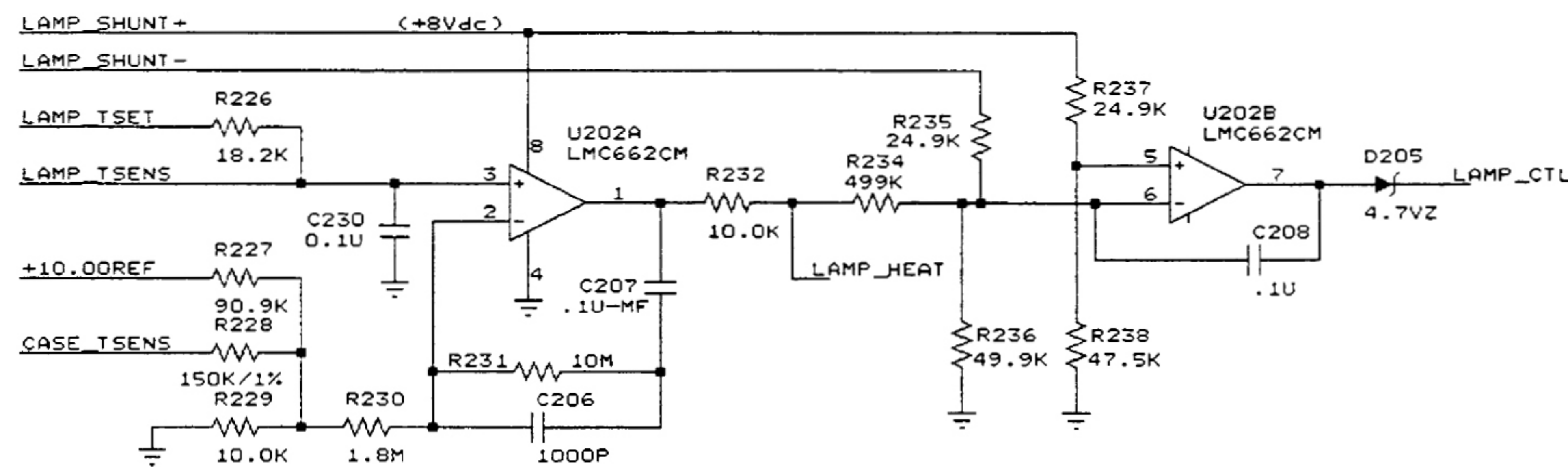
CRYSTAL TEMPERATURE CONTROL



CELL TEMPERATURE CONTROL



LAMP TEMPERATURE CONTROL



S=SOURCE OF SIGNAL ON THIS PCB
D=DESTINATION OF SIGNAL IS THIS PCB
P=PASS THROUGH OF SIGNAL ON THIS PCB